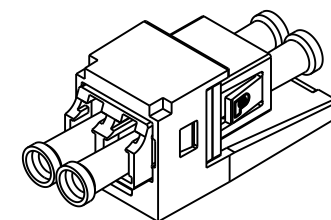
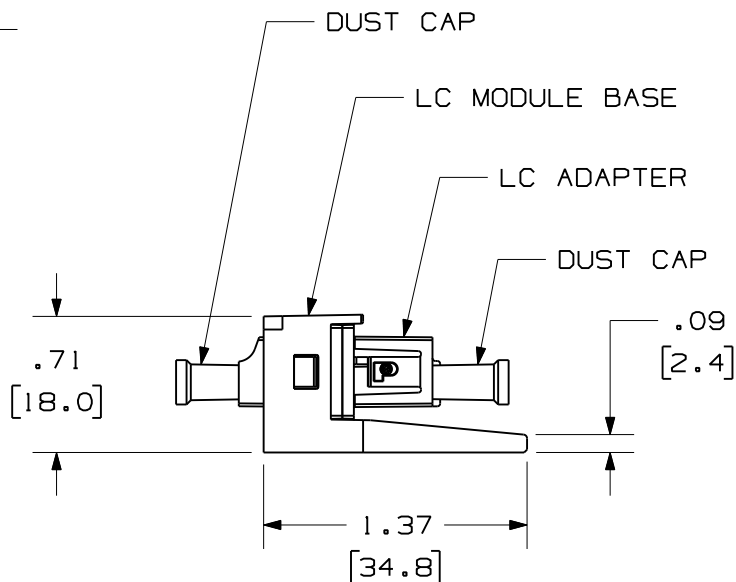
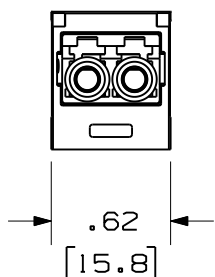
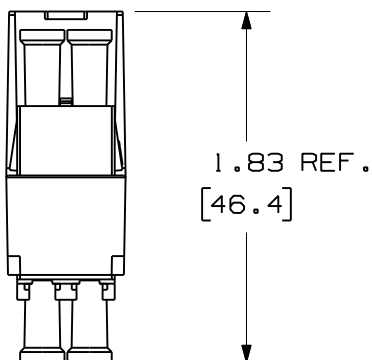


THIS COPY IS PROVIDED ON A RESTRICTED BASIS AND IS NOT TO BE USED IN ANY WAY DETRIMENTAL TO THE INTERESTS OF PANDUIT CORP.



PANDUIT P/N	WEIGHT	SPLIT SLEEVE TYPE
CMDJLC**	.10 lbs/10 Pcs [ 44.1 g/10 Pcs ]	PHOS BRONZE
CMDJAQLC**		
CMDJLCZ**	.10 lbs/10 Pcs [ 43.7 g/10 Pcs ]	ZIRCONIA
CMDJAQLCZ**		

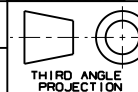
NOTES:

1. SEE CURRENT CATALOG FOR PART NUMBER SUFFIXES TO INDICATE COLOR OF MODULE BASE, AND/OR PACKAGE QUANTITIES.
2. SEE CATALOG FOR COMPLETE LIST OF PARTS APPLICABLE FOR USE WITH THIS PART.
3. MATERIALS:
  - a. MODULE BASE: ABS
  - b. ADAPTER HOUSING: PLASTIC
  - c. SPLIT SLEEVE: SEE TABLE
  - d. DUST CAP: PLASTIC
4. COMPATIBLE WITH TIA/EIA-604-10 (FOCIS-10) AND TIA/EIA-568B.3
5. DIMENSIONS IN BRACKETS ARE METRIC [ mm ]

MINI-COM LC SENIOR/JUNIOR  
 DUPLEX FIBER OPTIC ADAPTER MODULE  
 CUSTOMER DRAWING



**PANDUIT**™  
 CORP.  
 TINLEY PARK, ILL 60477



ALL DIMENSIONS ARE GIVEN IN INCHES,  
 UNLESS OTHERWISE SPECIFIED,  
 DIMENSIONAL TOLERANCES ARE:  
 (.X) (.XXX) ± .010 (0.3)  
 (.XX) ± .03 (0.8) ANGLES

DRAWING FILENAME  
 M00948AK\_DC\_00B.prnt  
 SCALE  
 NONE

DRAWN BY  
 MC

REVIEW DRAWING NUMBERS

PART NO.  
 SEE TABLE

REV	DATE	BY	CHK	DESCRIPTION	ECN	R	CUST	SUP	OTH
1	03-11-05	MC		RELEASED TO PRODUCTION	00948-18				

DATE  
 06-26-03  
 CHK'D  
 KWR

SEE NOTES

DRAWING NO.  
 00948-18  
 SIZE  
 A